

**Polaris**® **FORZA**™

ABOVE-GROUND POOL PUMPS

# POWERFUL PERFORMANCE FOR YOUR POOL



TRADE SERIES  
**EXCLUSIVE**

# PUT THE REPUTATION AND PERFORMANCE OF A POLARIS PUMP TO WORK ON YOUR ABOVE-GROUND POOL.

Polaris® Forza™ pumps for above-ground pools provide powerful and quiet operation with hassle-free maintenance to keep your pool running season after season.

**LARGE CAPACITY STRAINER BASKET**

**TRANSPARENT PUMP LID**

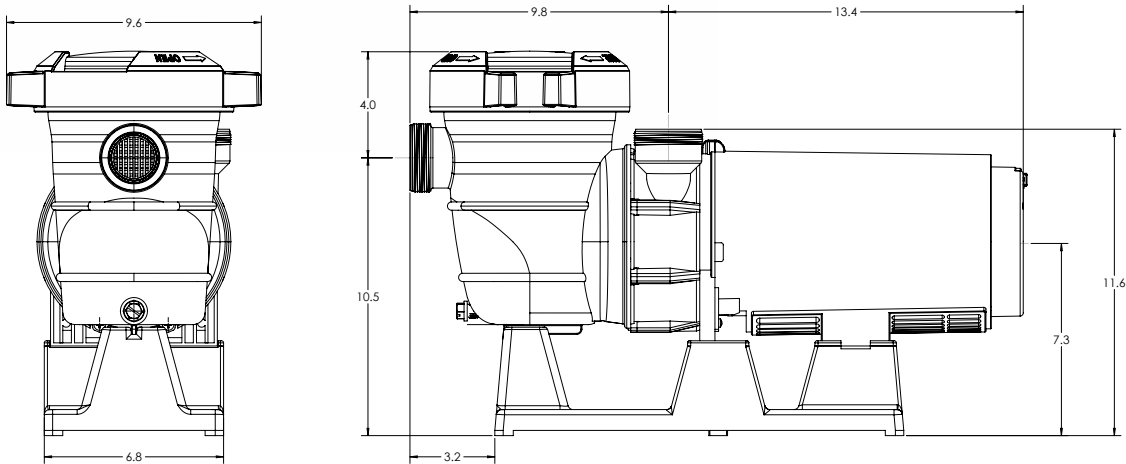


**DURABLE, DEPENDABLE DESIGN**



**QUIET OPERATION**

## FORZA PUMP DIMENSIONS



## FORZA PUMP SPECIFICATIONS

Model No.	HP	Inlet/Outlet	Voltage	Cord Length	AWG	Limited Warranty
PAG100C	1.0	1.5"	115V	25 ft	14/3	1 year
PAG150C	1.5	1.5"	115V	25 ft	14/3	1 year

PolarisPool.ca | 1.800.822.7933

©2022 Zodiac Pool Systems LLC. All rights reserved. Polaris® and the Polaris 3-wheeled cleaner design are registered trademarks of Zodiac Pool Systems LLC. All other trademarks referenced herein are the property of their respective owners. 7811\_SL