
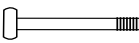









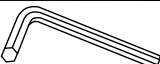

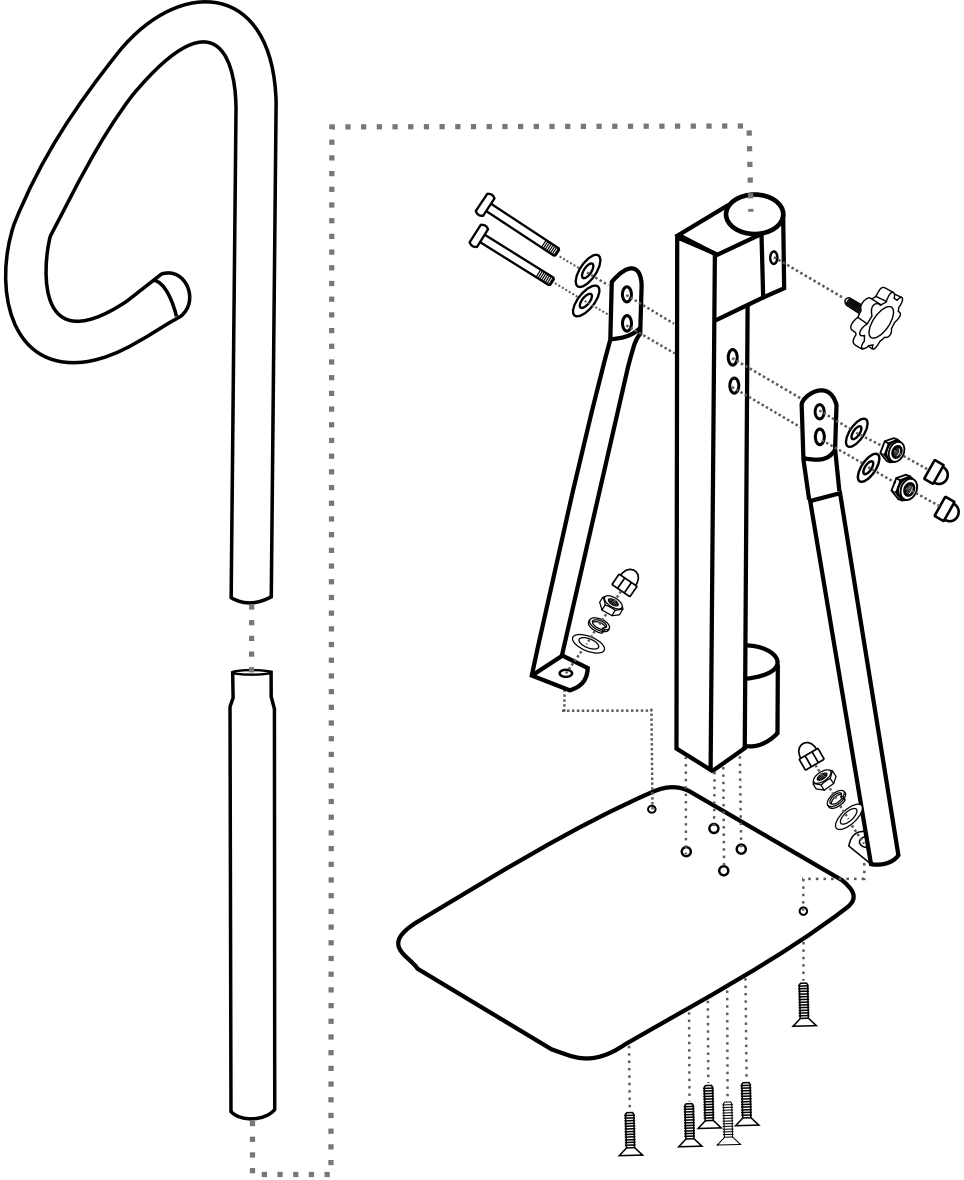
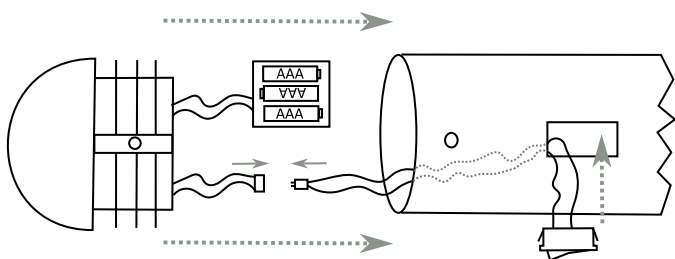


PART		QTY
Locking Knob		1
Hex Screw M8 x 75mm		2
Flat Washer M8		4
Nylon Locknut M8		2
Large Plastic Cap		2
Flat Head Hex Screw M6 x 20mm		6
Split Locknut M6		2
Flat Washer M6		2
Nut M6		2
Small Plastic Cap		2
10mm/13mm Wrench		1
Hex Wrench 5mm		1
Hex Wrench 4mm		1

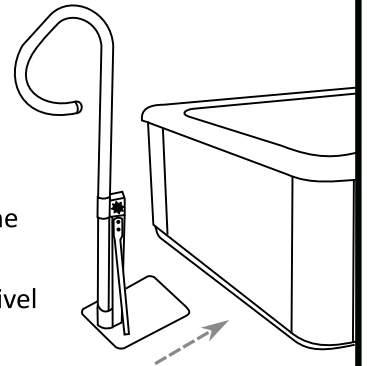


LED Light Assembly



Installation

1. Drain spa. (Attempting to install on a full spa will void warranty).
2. Have 1-2 helpers slightly lift edge of spa.
3. Slide base plate under the spa as far as possible.
4. Loosen locking knob, swivel to desired position, and re-tighten knob.



California Home Spas, Inc.

Spa Side Handrail 1-Year Limited Warranty

Any Spa Side Handrail shown to be unserviceable due to defects in materials or workmanship within 1 year from the date of purchase will have any affected parts repaired or replaced at the option of California Home Spas, Inc., without charge for materials. This warranty excludes any associated labor and freight costs.

EXCLUSIONS

- A. This warranty does not cover damage incurred by use of the Spa Side Handrail, other than in accordance with the printed literature provided by California Home Spas, Inc.
- B. Defects in components of any part(s) that are not part of the Spa Side Handrail.
- C. Misuse, abuse, negligence, accident, or alterations other than authorized by California Home Spas, Inc.
- D. Improper installation, including placement of undermount base on anything other than decking or hardscape.
- E. Normal fading and minor deterioration caused by exposure to the sun, rain, chemicals or environmental factors.
- F. Use of solvents, abrasive cleaners or brushes, and strong detergents.
- G. Acts of god, such as wind, fire, hail, falling trees, etc.

ADDITIONS

- A. California Home Spas, INC. shall not be liable for consequential damages or incidental expenses resulting from any breach of the before mentioned warranties.
- B. This warranty gives you specific legal rights. You may have other rights in different states and countries.
- C. Any dispute between the Buyer and California Home Spas, INC. pertaining to this warranty may, at the option of the Buyer, be resolved in the State of California, USA, in according to the rules of the American Arbitration Association.
- D. Should any one or more of the terms, provisions, covenants, or conditions of this warranty be determined void, invalid, illegal, or unlawful in any respect, then it shall be so, however it will not affect any of the other terms or provisions of this warranty and the remainder hereof shall still be in effect.

WARRANTY REGISTRATION

Please register your product at www.covervalet.com/warranty-registration/ or complete the following and return by mail within 10 days to Cover Valet, 1621 E Spring Street, Long Beach, CA 90806

Name _____ Email _____ Phone _____

Address _____ City _____ State _____ Zip _____

Product Purchased _____ Date of Purchase _____

Dealer or Retailer: _____

How did you hear about us? Dealer? _____ Website? _____ Home Show? _____

Magazine? _____ Word of Mouth? _____

For more information, please contact us:

Cover Valet 1-800-730-7727, International: 001-562-283-0595 or questions@covervalet.com